

**4407**

Telehandlers &gt; 6,0 m



### The most powerful Kramer telehandler ever

Kramer telehandlers show their strength under particularly harsh working conditions. Thanks to the load-sensing working hydraulics, they achieve fast work cycles. An infinitely variable drive system, cleverly designed maintenance access and enormous lift force up to 7 metres convince in daily use. The small outside turning radius thanks to the all-wheel steering and the fast loading cycles increase efficiency on site, even when space is limited.

- 4.3 tonne of payload and 7 metres lift height
- Low fuel consumption and high torque (90 kW Deutz, emissions level 3b)
- Variable Ecospeed transmission
- Very spacious panoramic cab provides maximum driver comfort and superb all-round visibility
- Extremely sturdy build quality thanks to the U-frame box section design and lateral guidance of the stabiliser

<h3/>

**4407**

Telehandlers &gt; 6,0 m

## Technical specifications

### Operating data

Bucket capacity (standard bucket)	1.2 m <sup>3</sup>
Operating weight (without add-on equipment)	7,900 kg

### Engine / Motor

Engine / Motor manufacturer	Deutz
Engine performance	90 kW

### Power transmission

Travel speed	20 km/h
Differential lock	100% connectable
Standard tires	405/70-24

### Steering and operating hydraulics

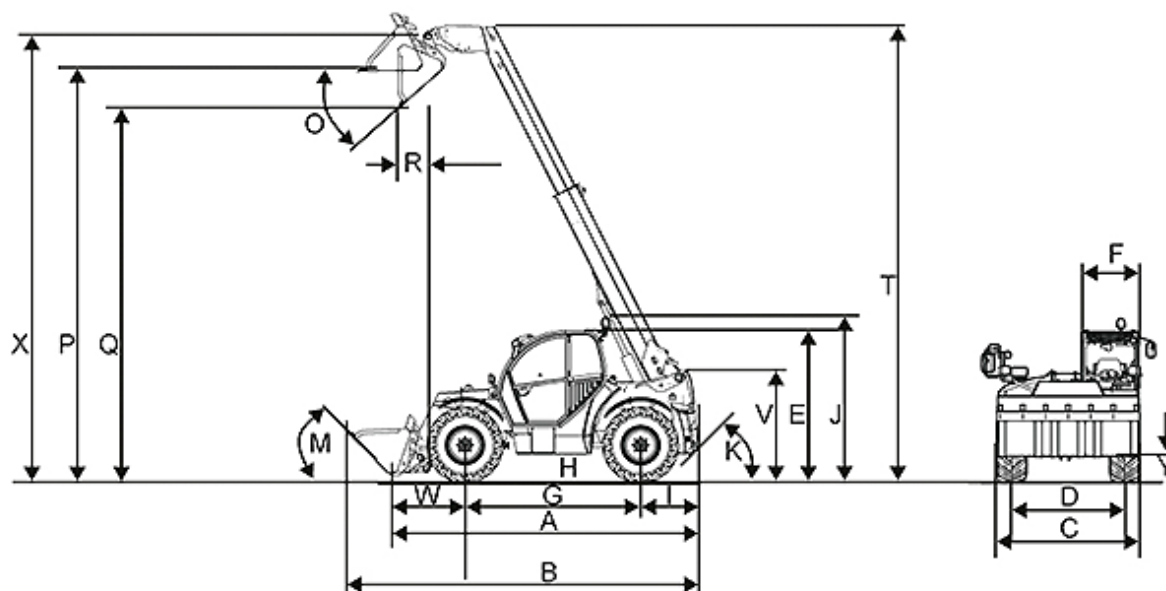
Flow rate (pump)	140 l/min
Pressure (maximum)	260 bar

### Kinematics

Payload (LSP = 500 mm)	4,300 kg
Payload (for max. lifting height)	3,300 kg
Payload (for max. range)	1,500 kg

Additional technical data is available in the detailed brochure within the informational material section

## Dimensions



A	Length (including tool frame)	4,985 mm
B	Length (with standard bucket)	6,160 mm
C	Width	2,500 mm
D	Track width	1,995 mm
E	Height	2,460 mm
F	Inside width (w/o wheels) (cab)	990 mm
G	Wheelbase	2,950 mm
H	Ground clearance	418 mm
I	Center of rear axle to end of vehicle	950 mm
J	Height (total with rotating beacon)	2,710 mm
K	Rear actuation angle	36 °
M	Tipping angle (standard bucket down)	45 °
O	Tip-out angle (standard bucket up)	41 °

P	Overhead loading height (extended)	6,835 mm
Q	Dumping height (extended)	6,183 mm
R	Dump reach (extended)	495 mm
V	Height (telescopic arm seating on the frame)	1,761 mm
W	Distance (middle of front wheel to quick change plate)	753 mm
X	Height (retracted bucket bolt)	5,092 mm
X	Height (extended bucket bolt)	7,409 mm
	Stack height (extended)	7,017 mm
	Turning radius (over tyres)	3,755 mm

**Information on suitable accessories can be found on our website.**

The right to make changes is reserved in the interests of ongoing further developments. You can find more information on the engine power in the operator's manual. The actual power output figures may vary due to specific operating conditions.

Information on suitable accessories can be found on our website. More detailed information on engine power can be found in the operator's manual; the stated power may vary due to specific operating conditions. Subject to alterations and errors excepted. Applicable also to illustrations. Copyright © 2015 Kramer-Werke GmbH.